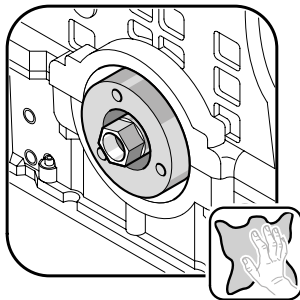


SI 01/2023

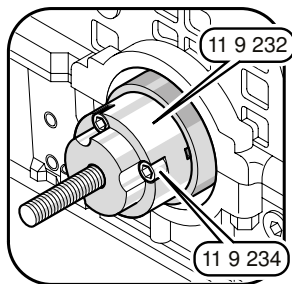
Installazione Anelli paraolio radiali 257.400



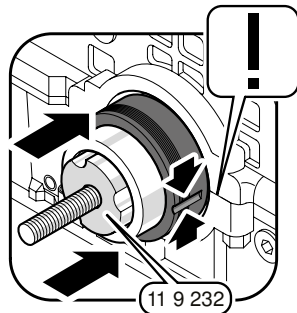
1.



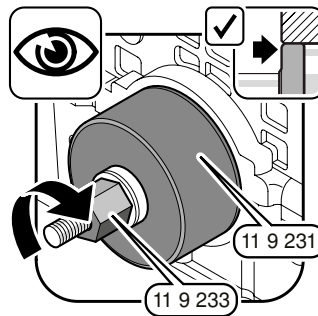
2.



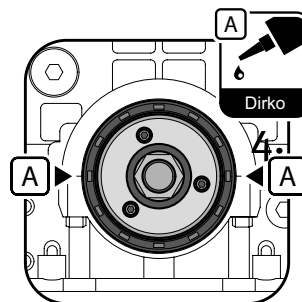
3.



4.



5.



ElringKlinger AG | Divisione commerciale ricambi

Max-Eyth-Straße 2 | D-72581 Dettingen/Erms

Fon +49 7123 724-799 | Fax +49 7123 724-798

service@elring.de | www.elring.com



Das Original